

WT-DP03 HC Serie

Wired digital programmable Heat&Cool room thermostat
Vision® Wired

Technical Data Sheet



Description

Vision® Wired is used to control the temperature of individual rooms in heating and/or cooling systems.

The DP03, A03 HC or D03 HC room thermostat is connected to the Vision® Wired connection box which connects each thermostat to the water loop via the electrothermal actuator.

Likewise, the room thermostat can be connected directly to 22CX electrothermal actuators (available in our price catalogue).



VISION® WIRED DP03 HC SERIES

The DP03 HC digital programmable wired thermostat has been designed to electronically control different types of heating and/or cooling systems. Compatible with NC (normally closed) and NO (normally open) electrothermal actuator, it offers a wide voltage range from 24 to 230VAC.

Temperature control is based on an internal sensor. An external probe (10kΩ probe - P01228) can be connected without any additional external power supply.

A LED indicates the switching on of heating or cooling by the activation of the signal. An input on the thermostat is used to manage the heating/cooling changeover from a signal sent by the Vision® Wired connection box.

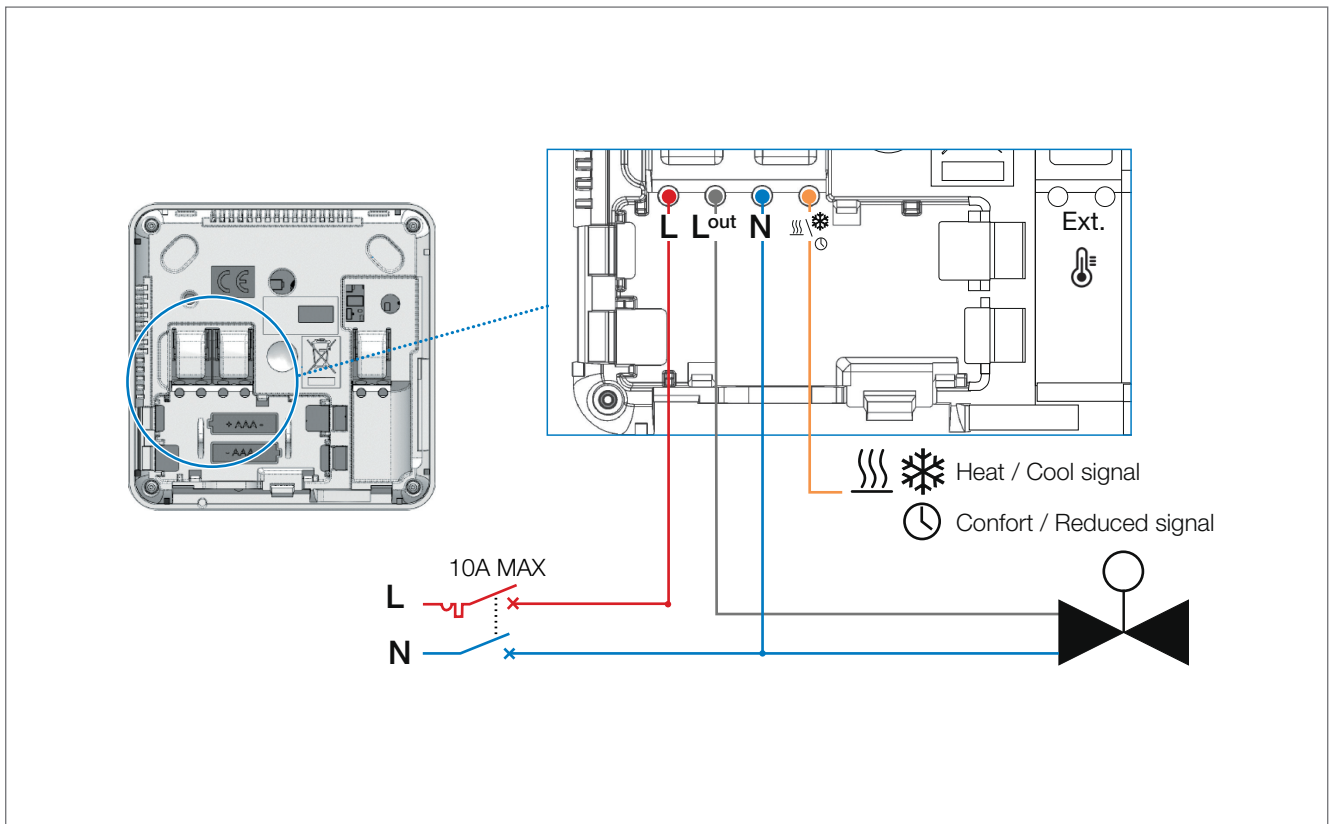
Type	Part no.	Description
WT-DP03 HC	P08102	Digital programmable Wired Heat&Cool room thermostat Vision® Wired WT-DP03 HC

- Thermostat compatible with the Vision® Wired system
- Electrical voltage from 24 to 230 V
- Compatible with NC and NO electrothermal actuators
- Regulation of the heating and cooling system, changeover can be managed by the thermostat in Master mode (manual or automatic) or Slave (thermostat input signal)
- Switching of the heating / cooling mode by a signal at the thermostat input,
- Quick connectors
- LCD display with back-light
- 2 sensitive touch buttons + 1 rotary push-button
- Different temperature program' settings
- Open window detection
- Comfort, reduced and anti freeze modes
- Configurable Hysteresis or PWM regulation
- Pin Code & lock for public area
- 2 parameter menus User and Pro
- 3 modes for temperature control (air, floor, ...) via internal probe, via external probe (floor probe), via internal probe with floor limit (7 - 30°C)

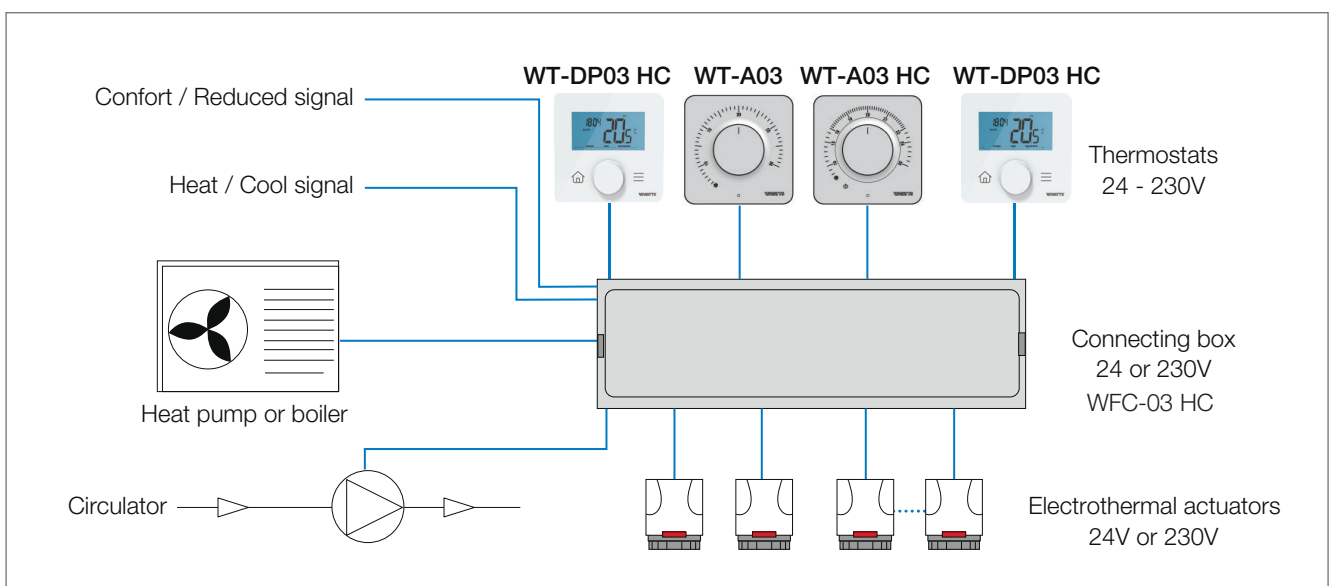
Optional: external probe

Technical specifications	
Operating temperature	0 to +40°C
Shipping and storage temperature	-10°C to +50°C
IP rating	IP30
Protection class	Class II
Temperature accuracy	0.1°C
ErP Class	Level IV (2%)
Regulation type	Proportional Band (10 - 15 - 30 - 45 - 60 min cycle) or Hysteresis 0.2°C to 3.0°C
Temperature ranges: Comfort / Reduced / Anti-freeze	5-30°C / 5-30°C / 0.5-10°C (0.5°C step)
Output voltage	From 24 to 230VAC 50Hz
Output power	NO or NC live contact 24VAC: Max. 5 electrothermal actuators (1.6W / actuator) 230VAC: Max. 8 electrothermal actuators (1.8W / actuator) Peak current: 4A max
Sensor	Internal and / or external (opt.) NTC 10kΩ at 25°C
Standards	2014/35/EU, 2014/30/EU, 2014/53/EU, 2011/65/EU, 2012/19/EU, 2015/1188/EU

Electrical wiring



Examples of installation type



Specification text

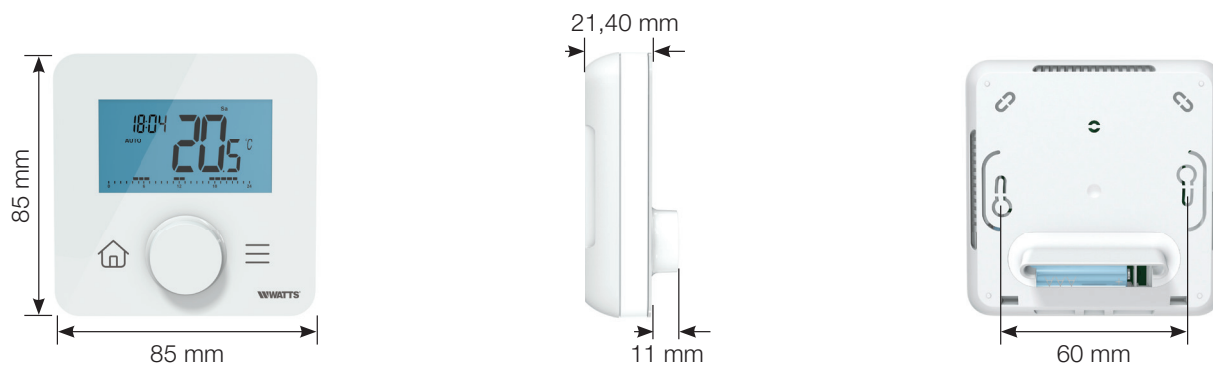
WT-DP03 HC Series

Wired digital programmable room thermostat for temperature control of individual rooms in a heating and/or cooling system. Can be connected directly to 22CX electrothermal actuators or via the Vision® Wired connection box. Compatible with NC and NO electrothermal actuators, it offers a wide voltage range from 24 to 230VAC. Temperature control is based on an internal sensor. An external probe (SENSOR 10kΩ - P01228) can be connected without any additional external power supply. An icon on the display informs of the activation of the heating & cooling changeover signal.

Complies with standards: 2014/35/EU, 2014/30/EU, 2014/53/EU, 2011/65/EU, 2012/19/EU, 2015/1188/EU.

Overall dimensions (mm)

WT-DP03 HC



The descriptions and photographs contained in this product specification sheet are supplied by way of information only and are not binding.

Watts Industries reserves the right to carry out any technical and design improvements to its products without prior notice. Warranty: All sales and contracts for sale are expressly conditioned on the buyer's assent to Watts terms and conditions found on its website at www.wattsindustries.com. Watts hereby objects to any term, different from or additional to Watts terms, contained in any buyer communication in any form, unless agreed to in a writing signed by an officer of Watts.

WATTS®

Watts Industries France

1590 avenue d'Orange • CS 10101 Sorgues 84275 VEDENE CEDEX • FRANCE

Tél. +33 (0)4 90 33 28 28 • Fax +33 (0)4 90 33 28 29/39

contact@wattswater.com • www.watts.eu